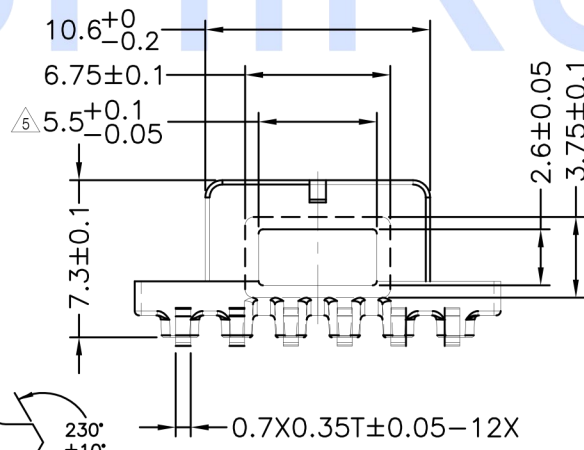
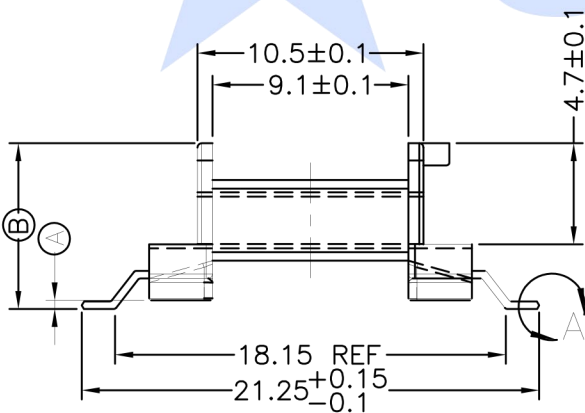
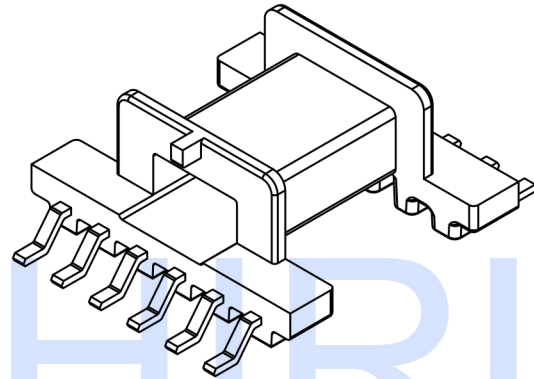
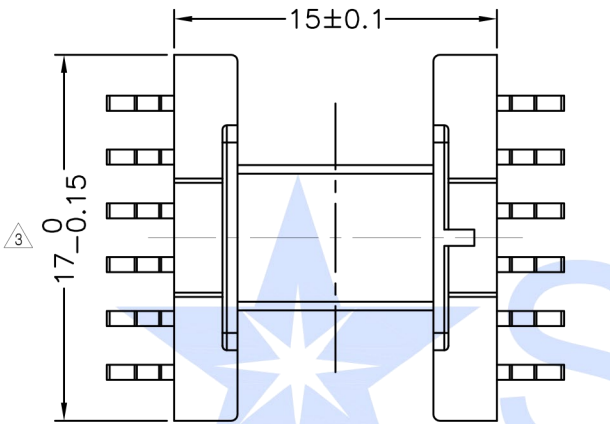
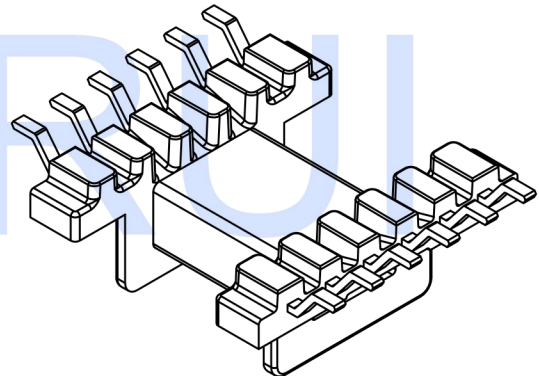
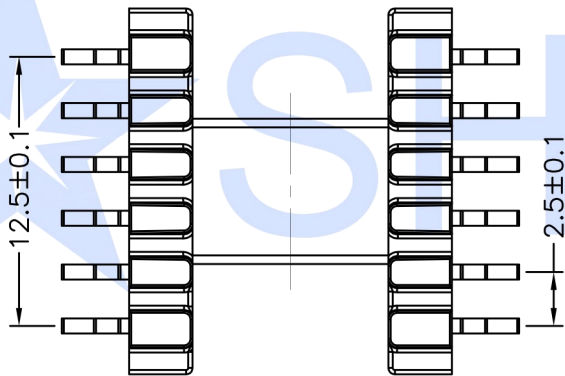


P/N
SR-SMDEFD1503



DETAIL:A
PATENTED



Anhui Shirui Electronic Technology Co., Ltd

www.shiruitech.com

TEL:(0086)55165232650

sales@shiruitech.com

SR NO. SR-SMDEFD1503	MATERIAL: PHENOLIC	UNIT: mm	TOLERANCE	DRN.	WILL H
MODEL NAME: SMD-EFD15-12P-1S	UL REC: UL 94V-0		0 < L ≤ 4 ±0.10	CHD.	IRINA LEE
	ANGLE: ± °		4 < L ≤ 16 ±0.20	ISSD.	JAMES HU
	SCALE 1:1		16 < L ≤ 64 ±0.30		
			PIN PITCH ±0.05		

Contact salesman:sales@shiruitech.com,For technique to contact :james@shiruitech.com